

Spherical Concave Mirrors

Case I: Object is far beyond C (at ∞)

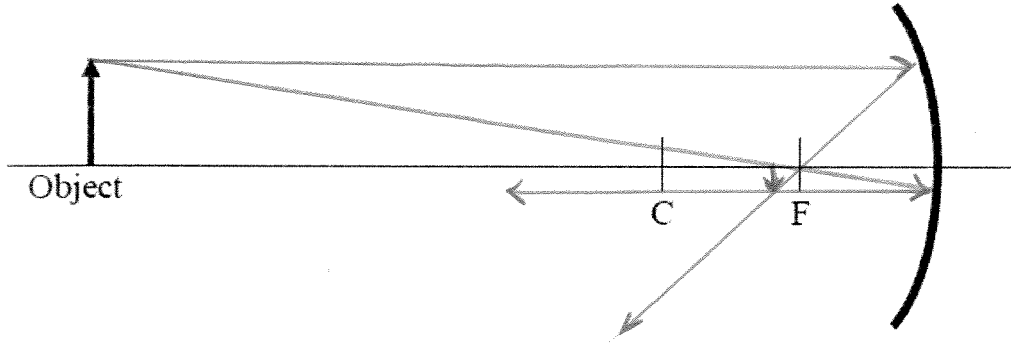


Image Formation

Location Between C & F

Orientation inverted

Magnification $M < 1$

Image Type Real

Case II: Object is at C

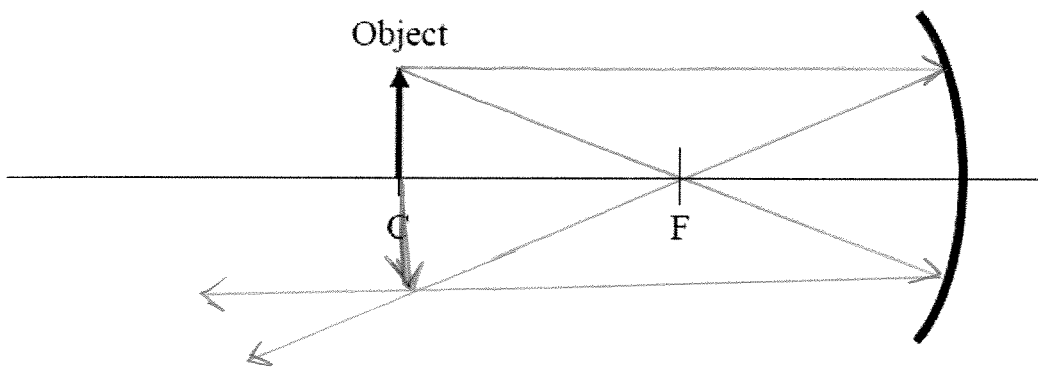


Image Formation

Location At C

Orientation inverted

Magnification $M = 1$

Image Type Real

Case III: Object is between C and F

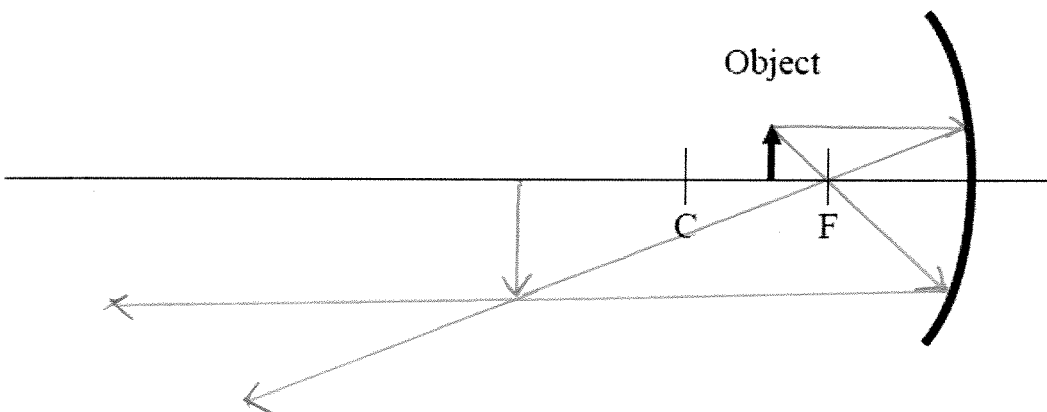


Image Formation

Location Beyond C

Orientation inverted

Magnification $M > 1$

Image Type Real

Case IV: Object is inside F (between F and Mirror)

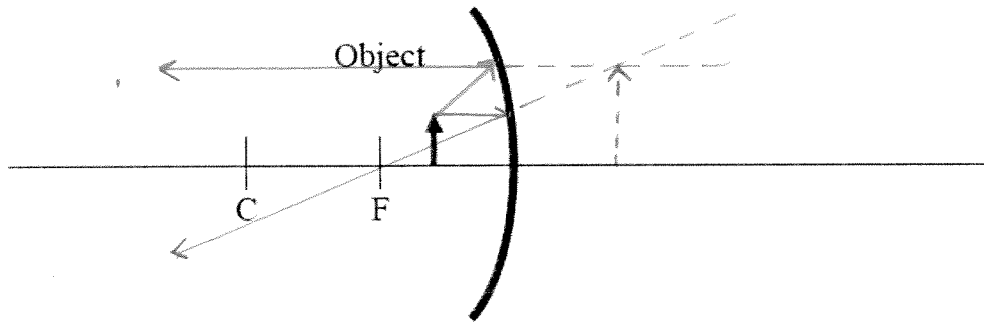


Image Formation

Location *in back of mirror*

Orientation *upright*

Magnification *$M > 1$*

Image Type *Virtual*

Spherical Convex Mirror Has only ONE case.

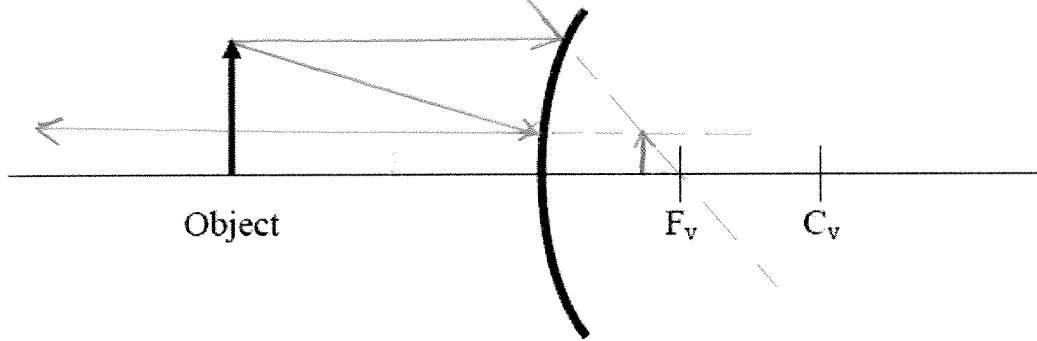


Image Formation

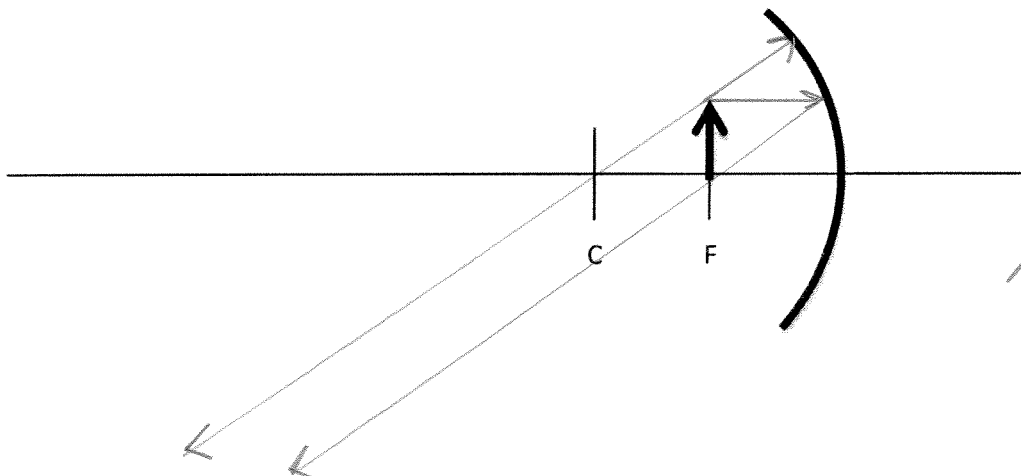
Location *in back of mirror*

Orientation *upright*

Magnification *$M < 1$*

Image Type *Virtual*

Special case when object is located AT Focal point:



*Parallel reflected rays
No image forms*